

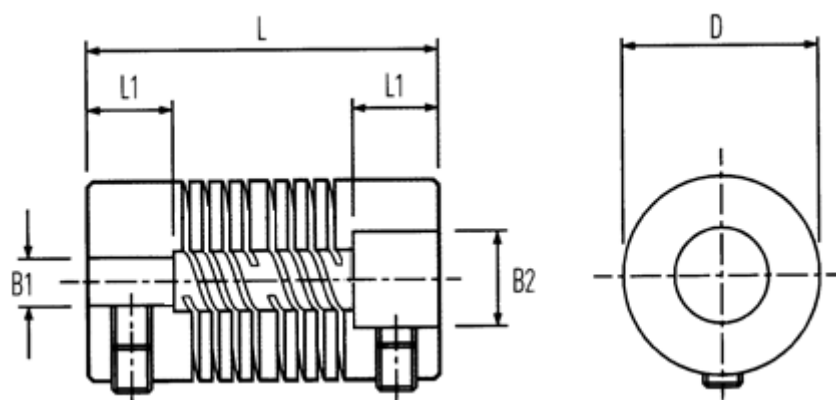
Data Sheet



Article number: 339710190000

Description: Multibeam 6 Coupling 710.19.0000
Acetal & set screw hubs

Measures



| | | |
|---------------------------|--------|-----------------------|
| B1: Pre-drilled | = 4.0 | Peak Torque NM = 1.30 |
| B2: Pre-drilled | = 6.35 | Set Screw = M4 |
| D | = 19.1 | |
| L | = 26.5 | |
| L1 | = 6.5 | |
| Max angular displacement | = 0.25 | |
| Max B1 & B2 | = 9.53 | |
| Max parallel displacement | = 7 | |